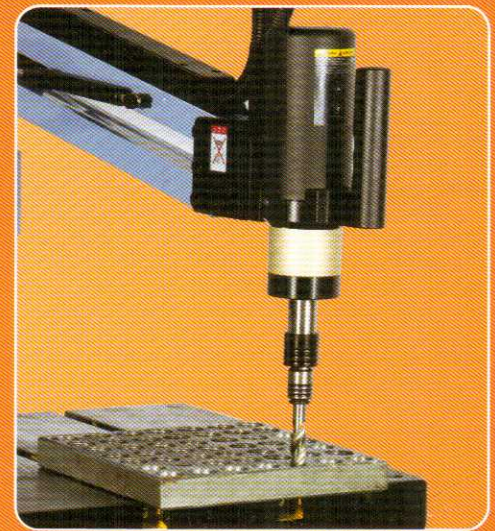
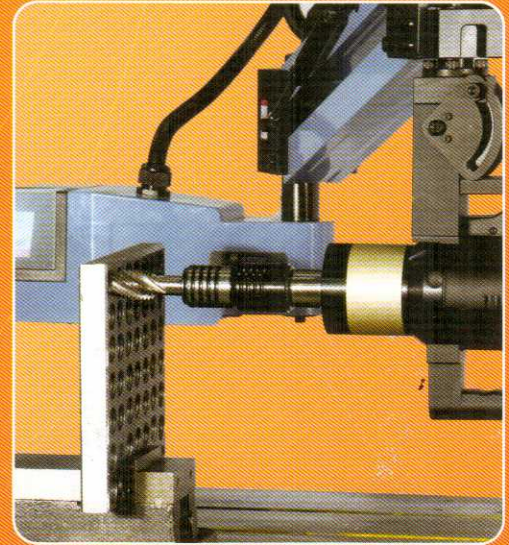




# ARROW MACHINE TOOLS

New No.18, Old No.1, Balaji Nagar, Ambattur, Chennai - 600 053  
 Phone : 044 - 2658 2694, 044 - 2658 0059, Mobile : +91 9846 60007, 98402 36534  
 e-mail : sales@arrowmachinetools.com



Basic Configuration	AR - M24H	AR - M30	AR - M36	AR - M48
Customized	Yes	Yes	Yes	Yes
Power types	The AC Power	The AC Power	The AC Power	The AC Power
Rated Power	1200W	1200W	1200W	1200W
Supply Voltage	220V	220V	220V	220V
The Spindle Rated Speed	550r/min	200r/min	156 r/min	50 - 200 r/min
Bearing Scope of Thread	M4 - M24	M6 - M30	M6 - M36	M12 - M48
Application	M4 - M24	M6 - M36	M6 - M36	M12 - M48

Product Introduction	AR - M24H	AR - M30	AR - M36	AR - M48
<b>Tapping Capacity</b>				
Steel	M4 - M20	M3 - M30	M6 - M33	M12 - M48
Aluminium	M4 - M24	M6 - M36	M6 - M36	M12 - M56
Stainless Steel	M4 - M20	M6 - M33	M6 - M33	M12 - M48
Rotation Speed (Stepless Speed Regulation)	550 r/min	200 r/min	156 r/min	50 - 200 r/min
<b>Working Area</b>				
Horizontal	1200mm	1200mm	1300mm	1300mm
Vertical	400mm adjustable	400mm adjustable	400mm adjustable	400mm adjustable

### Standard Accessories

Tapping Arm	One Set			
Servo Motor and Reducer	One Set			
Tap Holder (One Set)	M4 - M25	M6 - M24	M6 - M36	M3 - M16

### Optional Accessories

- Universal Joint (Tapping For a Vertical / Horizontal)
- Magnetic Base 600kg - 1000kg (Achieve Any Scope Tapping)
- Moving Workbench (Mobile Tapping Machine)

